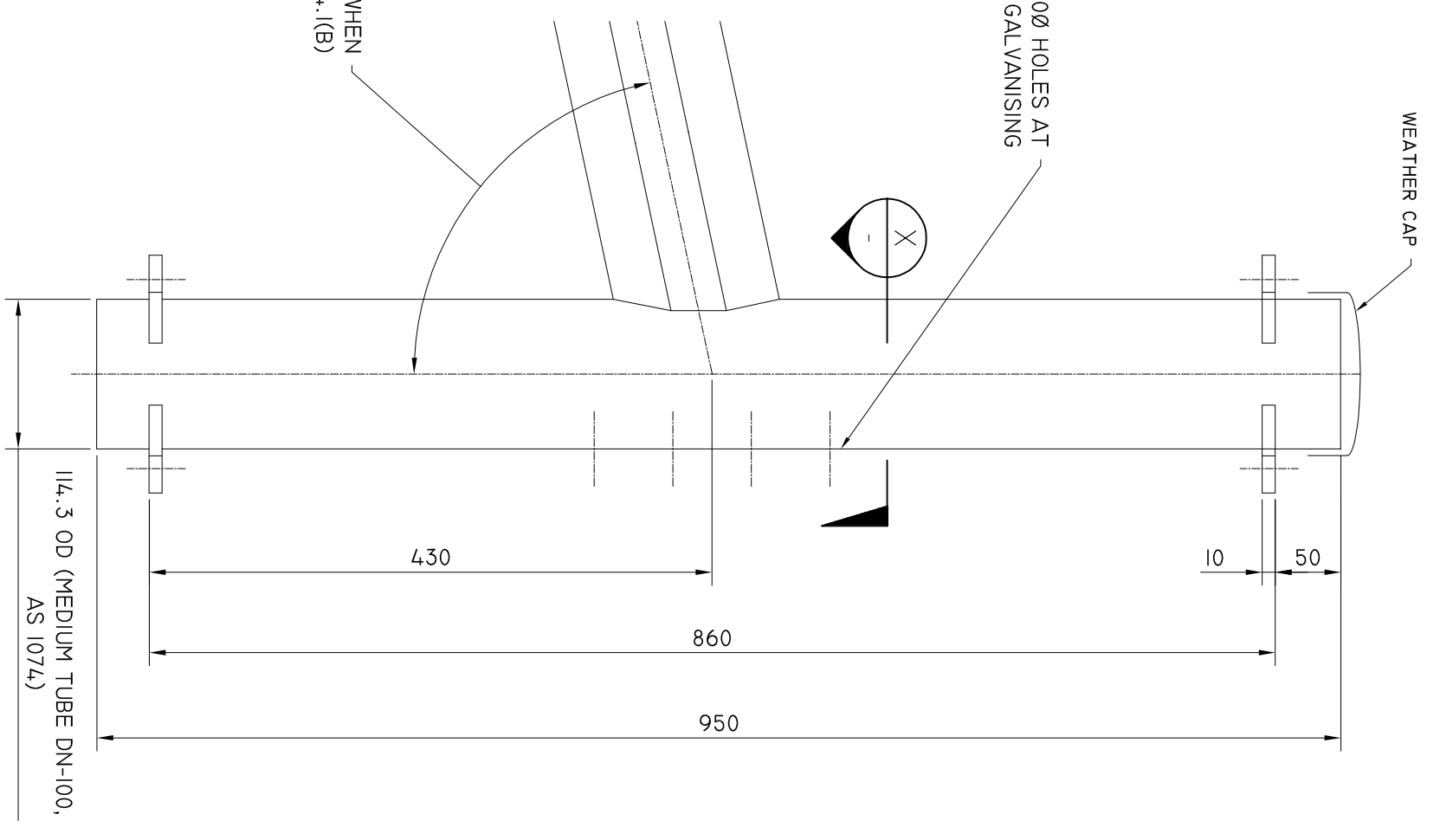


SECTION X-X  
N.T.S

DRILL AND CONDUIT TAP 4, NO 20Ø HOLES AT 60° PITCH AND RE-TAP AFTER GALVANISING



ANGLE TO ACHIEVE THE VERTICAL +/- 1° WHEN LOADED IN ACCORDANCE WITH CLAUSE 2.2.4.1(B)

DEPARTMENT OF STATE GROWTH

STANDARD DRAWING  
FOR TRAFFIC SIGNALS  
TRAFFIC SIGNAL MA & JUMA  
OVERHEAD LANTERN MOUNTING ASSEMBLY



|          |  |            |  |
|----------|--|------------|--|
| DRAWN    |  | B. VINEY   |  |
| REVIEWED |  | N. HARREX  |  |
| DATE     |  | 18/02/2021 |  |
| DRN      |  |            |  |
| DETAILS  |  |            |  |
| ISSUE    |  |            |  |
| A        | UPDATES TO STANDARD VIC ROADS DRAWINGS |            |  |
| B        | UPDATE TO STANDARD DRAWING             | B.V        |  |

DO NOT SCALE

USE OF THIS DRAWING IS GOVERNED BY THE CONDITIONS ON THE DEPARTMENT STATE GROWTH WEBSITE. IT IS THE USERS RESPONSIBILITY TO ENSURE IT IS THE CURRENT REVISION. STANDARD DRAWING NUMBER SD-101-013

REVISION NUMBER B