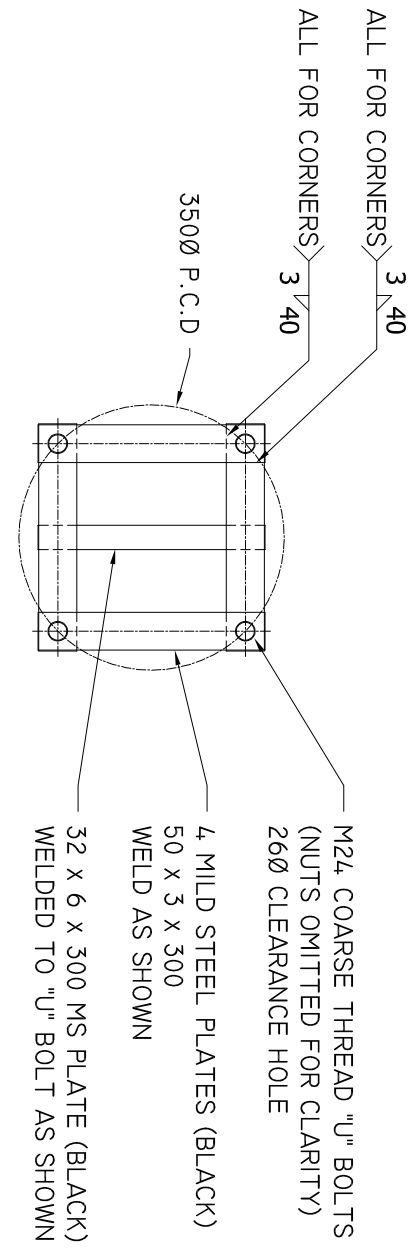
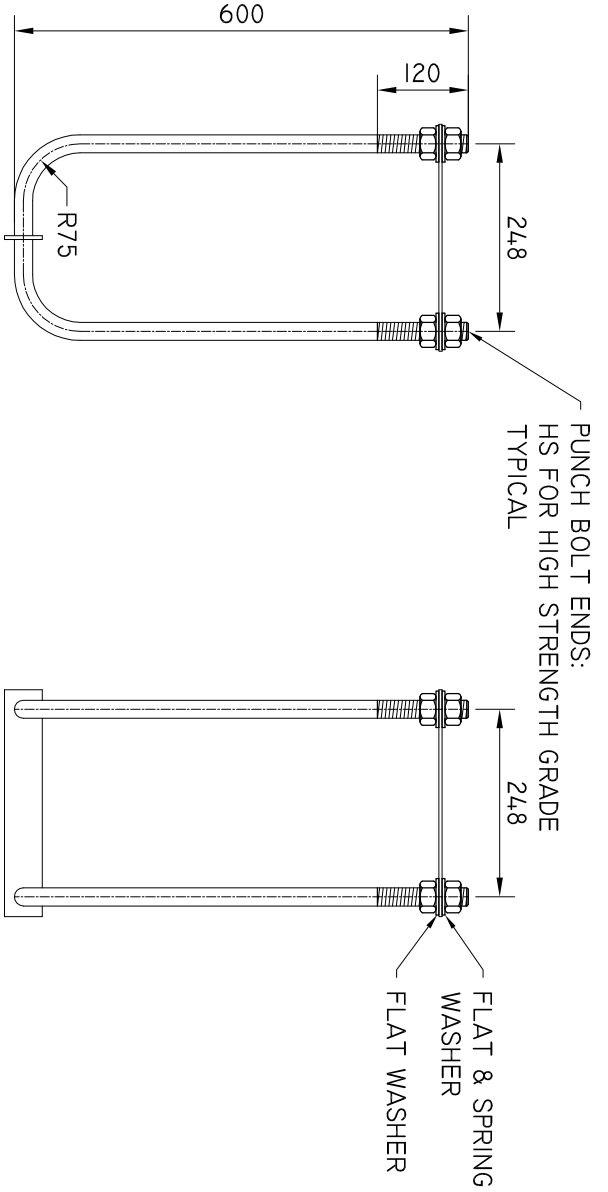


PLAN
SCALE : 1:10



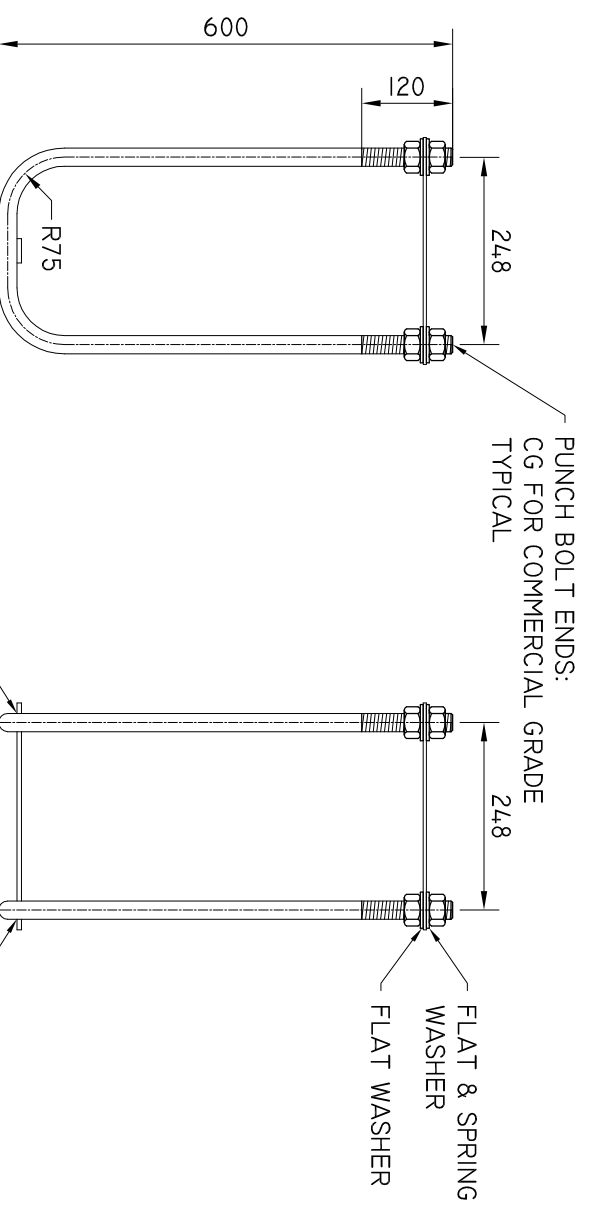
PLAN
SCALE : 1:10



FRONT
SCALE : 1:10

SIDE
SCALE : 1:10

NOTE : HIGH STRENGTH BOLTS (TO AS 1252)



FRONT
SCALE : 1:10

SIDE
SCALE : 1:10

NOTE : COMMERCIAL GRADE BOLTS (TO AS 1111)

ISSUE	DETAILS	DRN	DATE	DRAWN	B. VINEY	REVIEWED	N. HARREX	10/12/2020
A	UPDATES TO STANDARD VIC ROADS DRAWINGS							
B	UPDATE TO STANDARD DRAWING							



DEPARTMENT OF STATE GROWTH
M24 COMMERCIAL RAG BOLT ASSEMBLY
M24 COMMERCIAL & HIGH STRENGTH GRADE
600MM X 350MM PCD
DRAWING ADAPTED FROM VICROADS STANDARD DRAWING TC-1601

DO NOT SCALE
USE OF THIS DRAWING IS GOVERNED BY THE CONDITIONS ON THE DEPARTMENT STATE GROWTH WEBSITE. IT IS THE USERS RESPONSIBILITY TO ENSURE IT IS THE CURRENT REVISION. STANDARD DRAWING NUMBER SD-101-001
REVISION NUMBER A