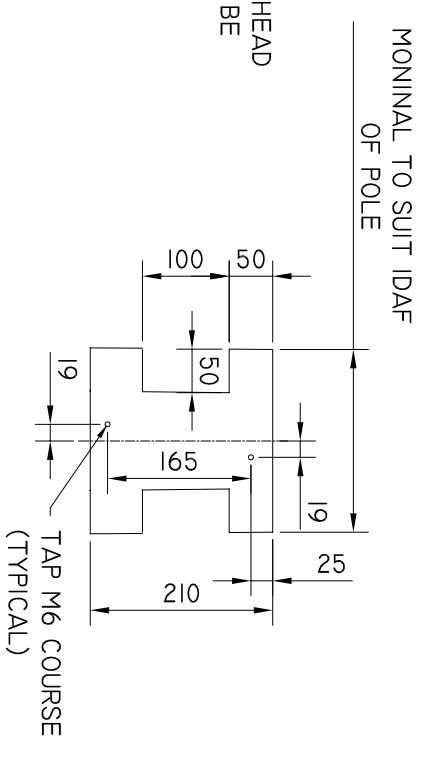


STREET LIGHTING MOUNTING PLATE

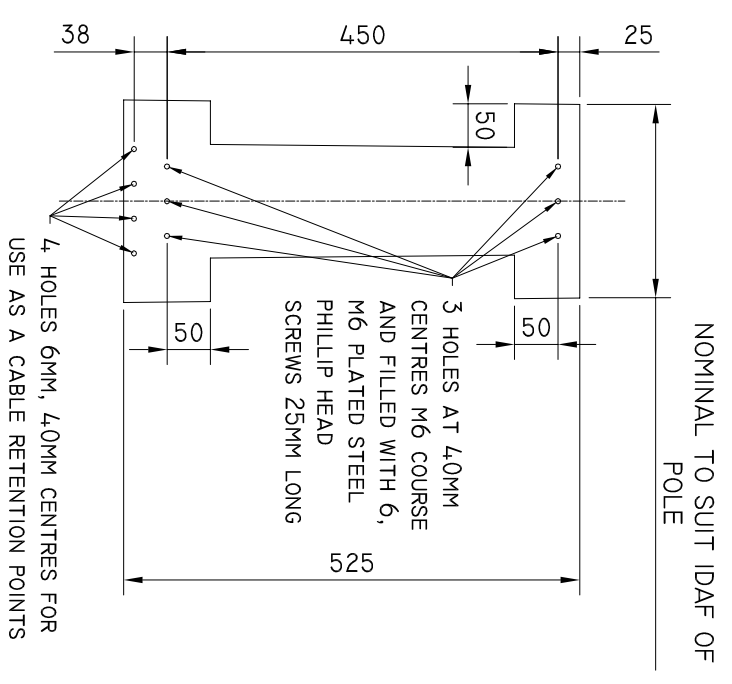
FOR USE WITH VESI CABLE TERMINATION PANEL



- NOTES:
1. 210XIDAFX3 THICK PLATED STEEL SHEET WITH 2 TAPPED HOLES, M6 COURSE.
 2. TO BE SUPPLIED WITH 2 No. 20 LONG M6 COMMERCIAL ZINC PLATED HEXAGONAL HEAD AND PHILIP DRIVE SET SCREWS.
 3. STREET LIGHTING MOUNTING PLATE SHALL BE SET BACK AT LEAST 100MM BEHIND STREET ACCESS DOOR.

- GENERAL NOTES:
1. INSULATED COPPER EARTH WIRES 1000 LONG (7X0.85) ARE TO BE SUITABLY ATTACHED TO THE COLUMN (BOTH THE TRAFFIC SIGNAL TERMINATION SUPPORT PLATE AND THE STREET LIGHTING MOUNTING PLATE) BY MEANS OF M6 SCREWS AND WASHERS.
 2. UNSPECIFIED DIMENSIONS ARE IN MM.
 3. FOR USE WITH SD 101 006 SD 101 007 SD 101 008

TRAFFIC SIGNAL TERMINATION SUPPORT PLATE



- NOTES:
1. 525XIDAFX3 THICK PLATED STEEL SHEET.
 2. TRAFFIC SIGNAL TERMINATION SUPPORT PLATE SHALL BE SET BACK AT LEAST 100MM BEHIND ACCESS DOOR.

DEPARTMENT OF STATE GROWTH

STANDARD DRAWING
FOR TRAFFIC SIGNALS AND STREET LIGHTING
DOOR OPENING AND CABLE TERMINATION
BLOCK MOUNTING DETAILS
DRAWING ADAPTED FROM VICROADS STANDARD DRAWING TC-1118

DO NOT SCALE
USE OF THIS DRAWING IS GOVERNED BY THE CONDITIONS ON THE
DEPARTMENT STATE GROWTH WEBSITE.
IT IS THE USERS RESPONSIBILITY TO ENSURE IT IS THE CURRENT REVISION.
STANDARD DRAWING NUMBER
SD-101-106
REVISION NUMBER
B

DRAWN		B. VINEY	
REVIEWED		N. HARREX	
DATE		18/02/2021	
ISSUE		DETAILS	
UPDATE TO STANDARD DRAWING		B.V	
UPDATES TO STANDARD VIC ROADS DRAWINGS		DRN	

0	10	20	30	40	50	60	70	80	90	100	4	5	6	7	8	9	10
---	----	----	----	----	----	----	----	----	----	-----	---	---	---	---	---	---	----

