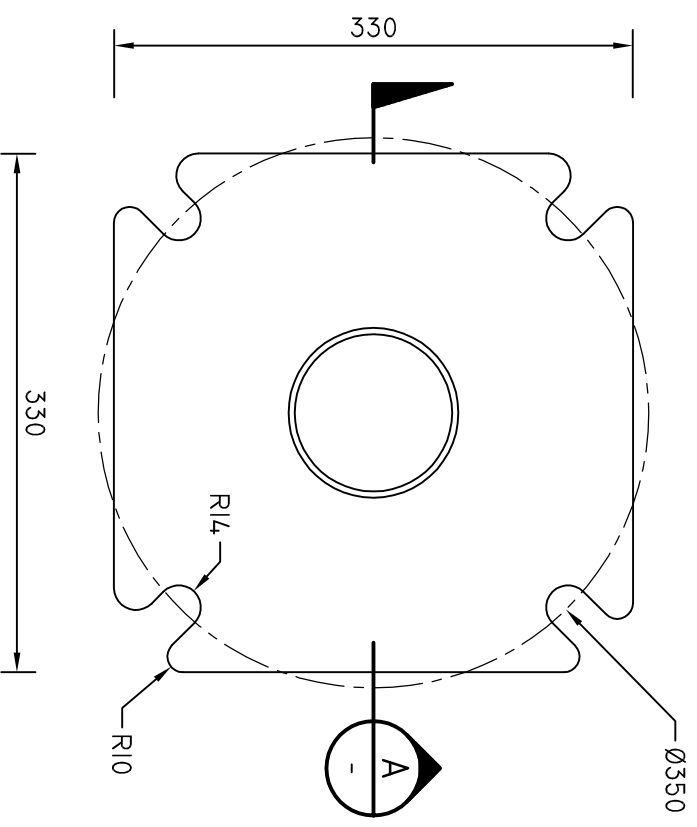
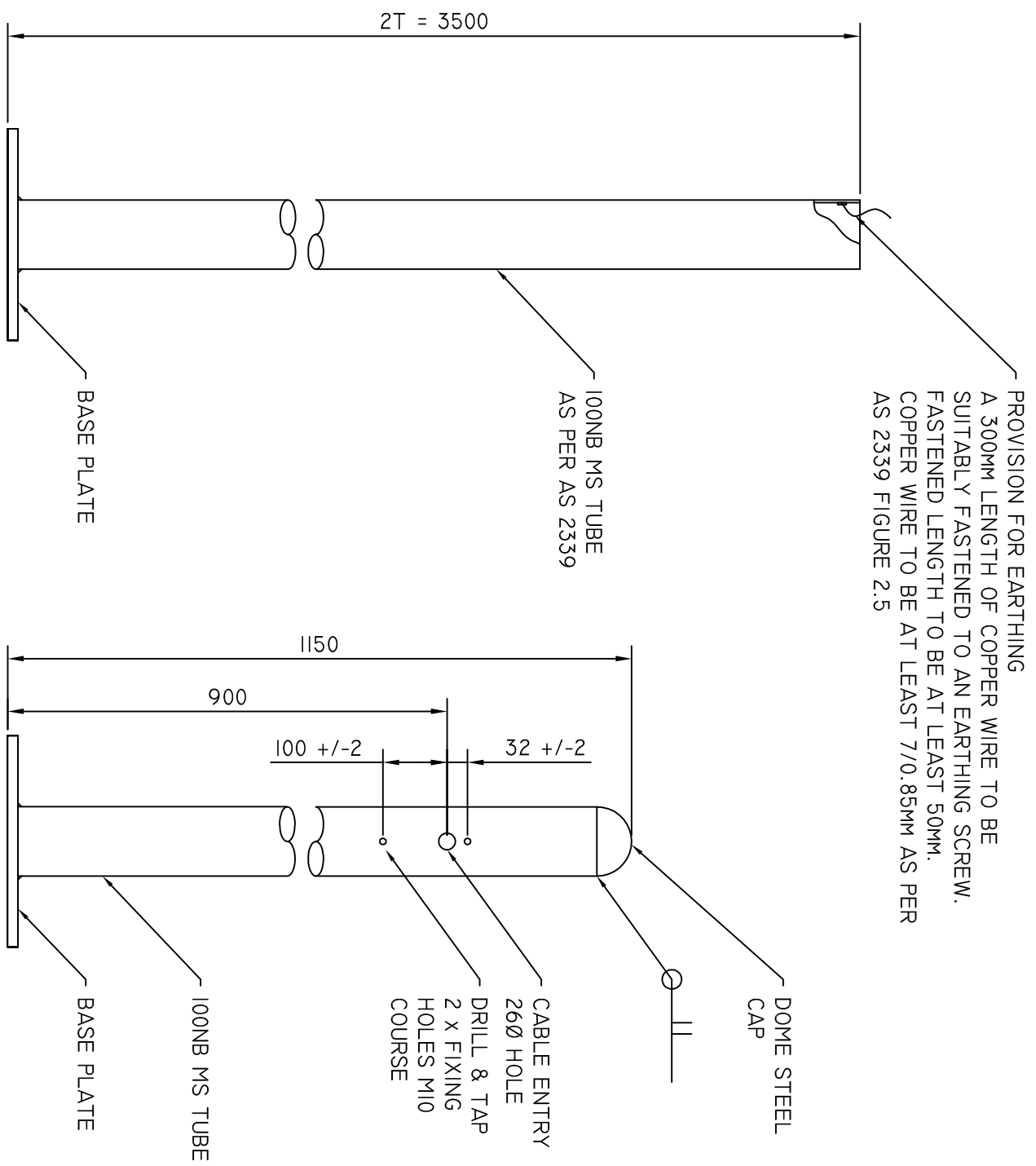


SECTION
1:10



BASE PLATE DETAIL
SCALE : 1:5



TRAFFIC SIGNAL POST
TYPE 2T
SCALE : 1:10

PUSH BUTTON
TYPE 3 POST
SCALE : 1:10

NOTE:
1. POSTS TO CONFORM WITH AS 2339 UNLESS SHOWN OTHERWISE

ISSUE	DETAILS	DRN	DATE
A	UPDATES TO STANDARD VIC ROADS DRAWINGS		
B	UPDATE TO STANDARD DRAWING	B.V	10/12/2020
C	TYPE 2C CHANGED TO 2T	B.V	20/07/2022

DRAWN	B. VINEY
REVIEWED	N. HARREX
APPROVED	

DEPARTMENT OF STATE GROWTH
STANDARD DRAWING
TRAFFIC SIGNAL POST - TYPE 2T & 3
DRAWING ADAPTED FROM VICROADS STANDARD DRAWING TC-1100

DO NOT SCALE	REVISION NUMBER
USE OF THIS DRAWING IS GOVERNED BY THE CONDITIONS ON THE DEPARTMENT STATE GROWTH WEBSITE. IT IS THE USERS RESPONSIBILITY TO ENSURE IT IS THE CURRENT REVISION. STANDARD DRAWING NUMBER	C

