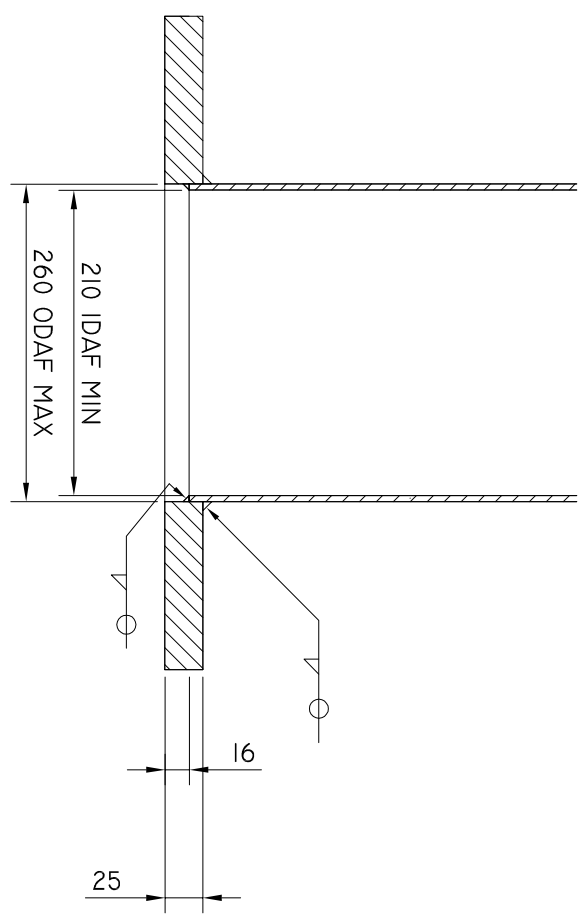
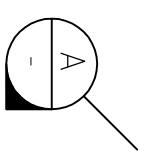


CUT OUT OCTAGONAL SHAPE TO MATCH BASE OF COLUMN



SECTION
1:10

GENERAL NOTES / CROSS REFERENCES
 UNSPECIFIED DIMENSIONS ARE IN MM.
 IDAF - INTERNAL DIAMETER ACROSS FLATS
 FOR USE WITH: SD 101 006
 SD 101 007
 SD 101 008

DRAWN		B. VINEY	
REVIEWED		N. HARREX	
DATE		10/12/2020	
APPROVED			
ISSUE	DETAILS	DRN	
A	UPDATES TO STANDARD VIC ROADS DRAWINGS	B.V	
B	UPDATE TO STANDARD DRAWING		



DEPARTMENT OF STATE GROWTH
 STANDARD DRAWING
 FOR TRAFFIC SIGNALS AND STREET LIGHTING
 MA, JUMA, JUP, RSLP
 BASEPLATE DETAIL
 DRAWING ADAPTED FROM VICROADS STANDARD DRAWING TC-1107

DO NOT SCALE
 USE OF THIS DRAWING IS GOVERNED BY THE CONDITIONS ON THE
 DEPARTMENT STATE GROWTH WEBSITE.
 IT IS THE USERS RESPONSIBILITY TO ENSURE IT IS THE CURRENT REVISION.
 STANDARD DRAWING NUMBER
 SD-101-004
 REVISION NUMBER
 A

