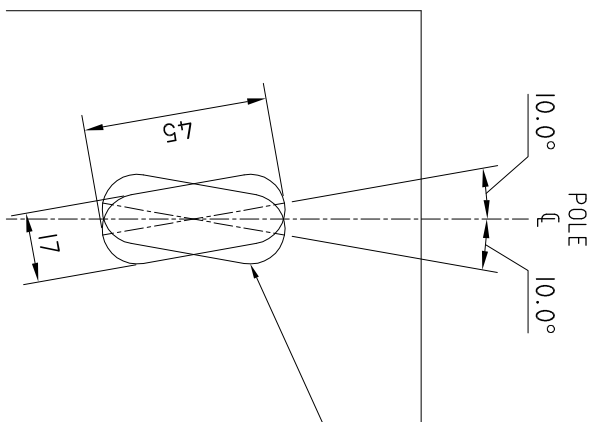
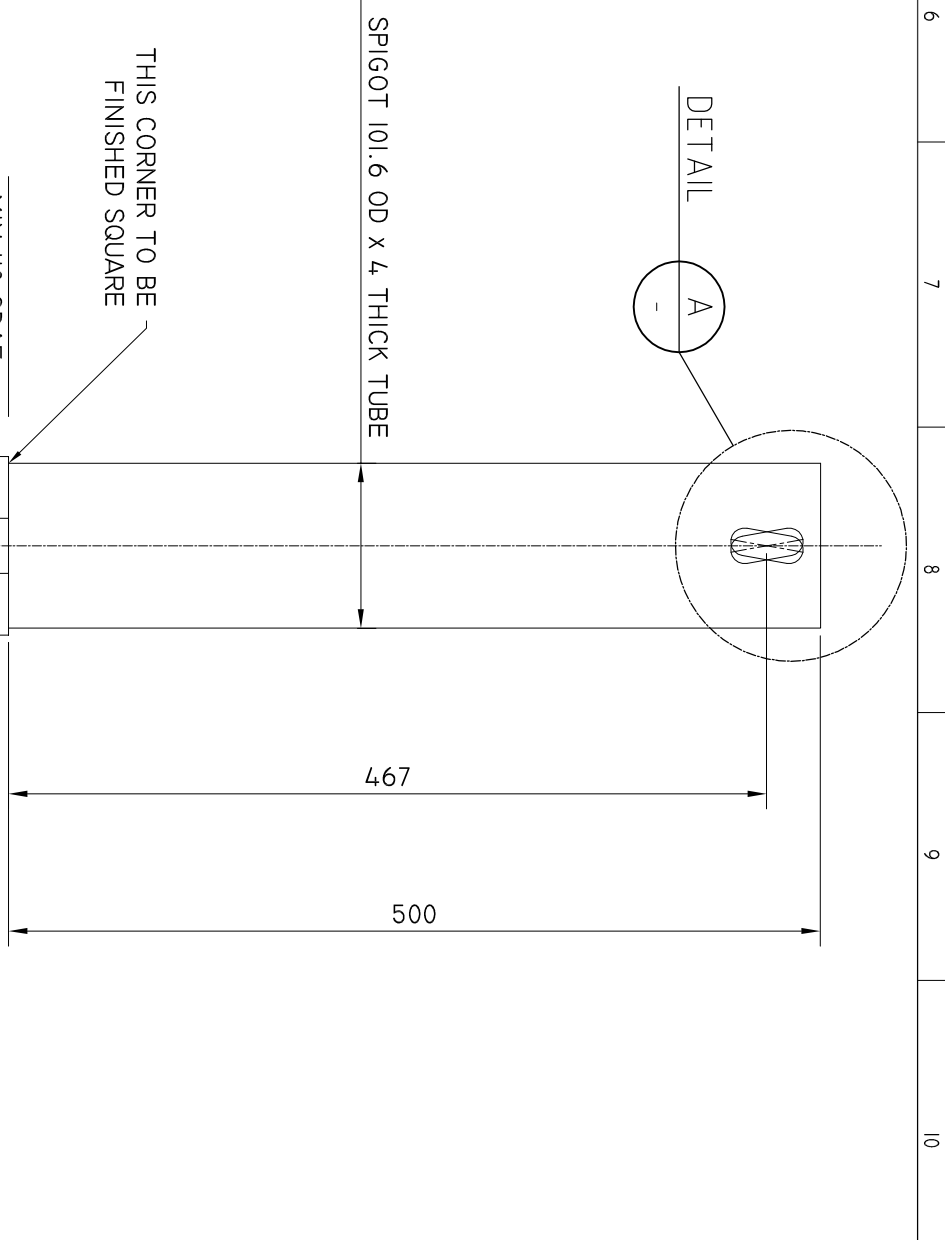


**SPIGOT CAP**



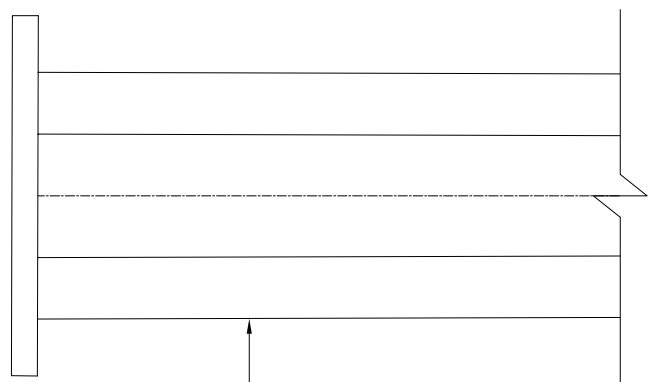
2 FIXINGS SLOTS LOCATED 180° APART.  
ONE SLOT AS SHOWN, OTHER SLOT  
PLACED 10° IN OPPOSITE DIRECTION TO  
VERTICAL AS VIEWED FROM SAME SIDE.

**DETAIL A**



FOR STREET LIGHTING EXTENSION  
DETAILS REFER SD 101 009

FOR POLE DETAILS REFER  
JUP SD 101 006  
JUMA SD 101 007



**DEPARTMENT OF STATE GROWTH**

STANDARD DRAWING  
FOR TRAFFIC SIGNALS AND STREET LIGHTING  
JUMA, JUP AND RSLP STREET LIGHTING EXTENSIONS  
SPIGOT DETAIL AND SPIGOT CAP



ISSUE		DRN	DATE	APPROVED	REVIEWED	DRAWN
A	DETAILS				N. HARREX	B. VINEY
B	UPDATE TO STANARD DRAWING		18/02/2021			
H	UPDATE TO STANARD VIC ROADS DRAWINGS					

DO NOT SCALE

USE OF THIS DRAWING IS GOVERNED BY THE CONDITIONS ON THE  
DEPARTMENT STATE GROWTH WEBSITE.  
IT IS THE USERS RESPONSIBILITY TO ENSURE IT IS THE CURRENT REVISION.  
STANDARD DRAWING NUMBER

SD-101-027

REVISION NUMBER  
B