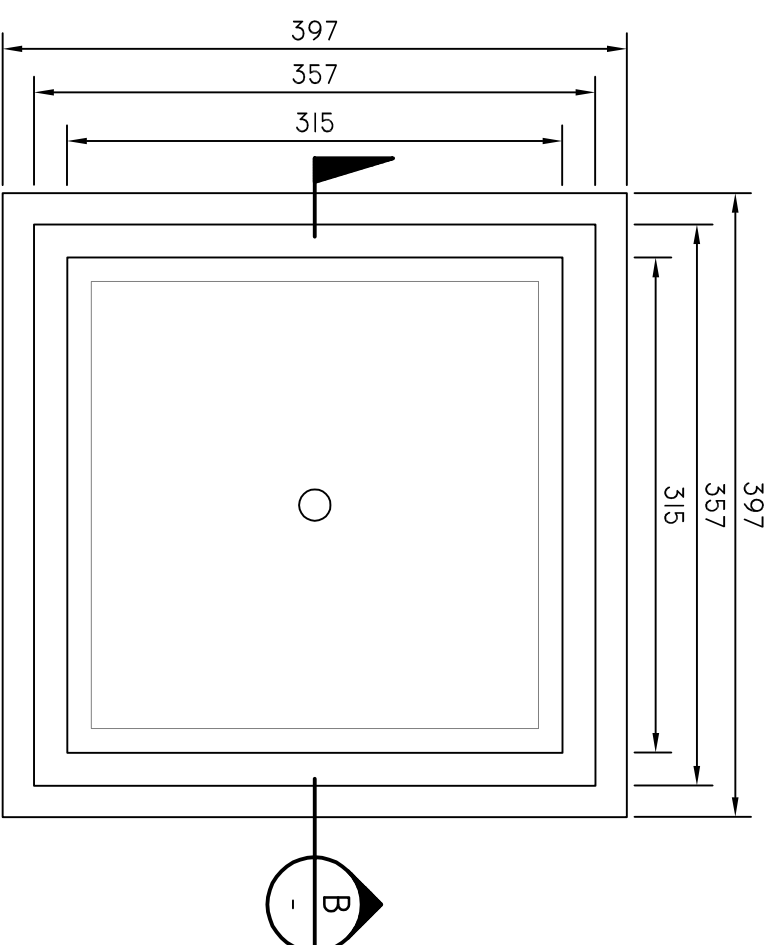
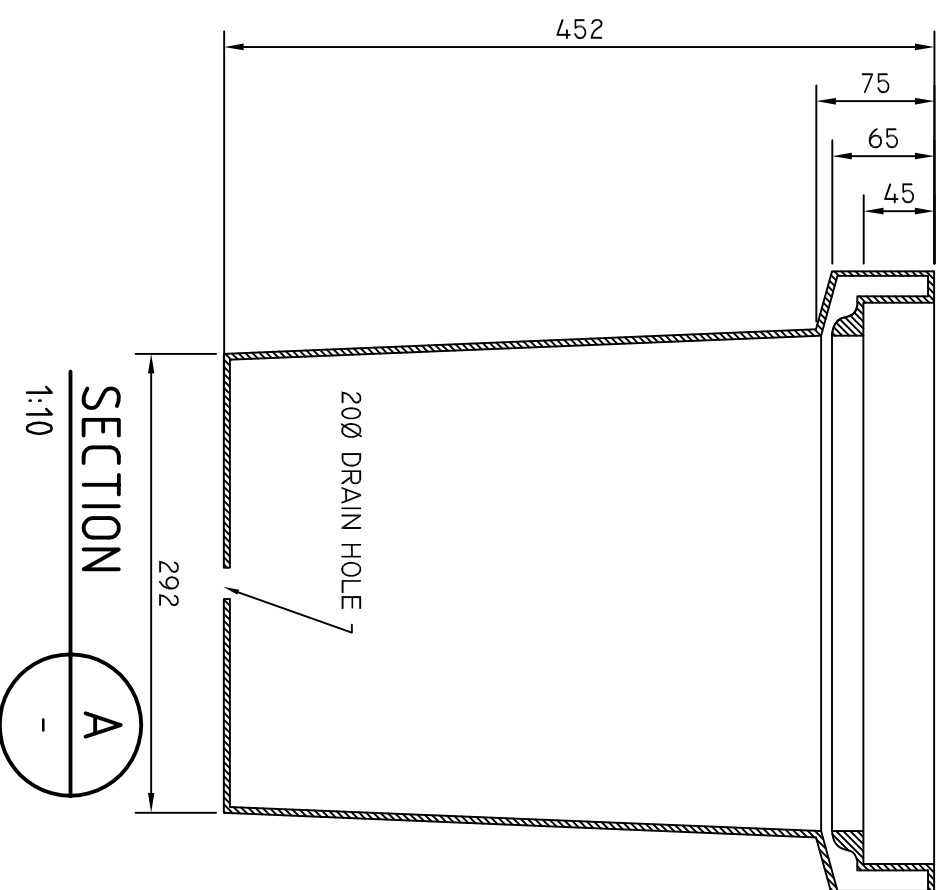


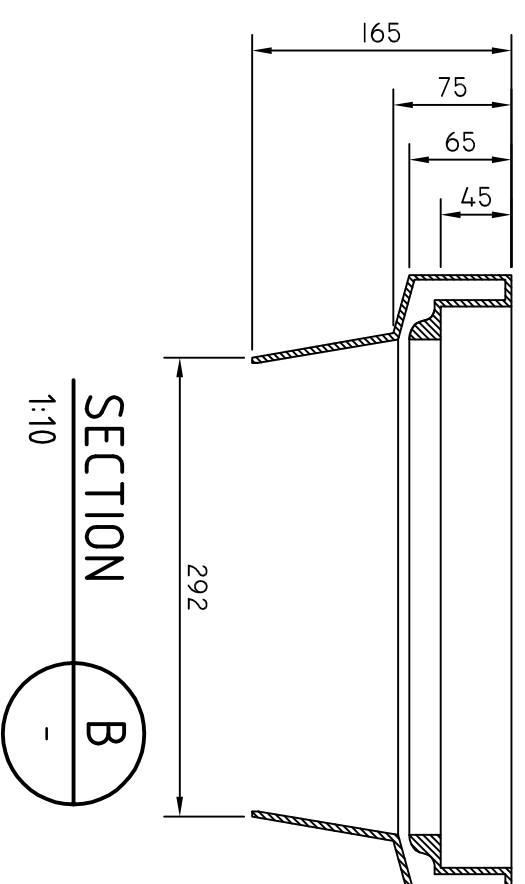
DETECTOR PIT PLAN



DETECTOR PIT RISER PLAN



SECTION
1:10



SECTION
1:10

- NOTES
1. DIMENSIONS ARE IN MILLIMETRES UNLESS OTHERWISE NOTED.
 2. MATERIAL HDPE OR AS SPECIFIED.
 3. ALL JOINTS FULLY SEAM WELDED TO COMPLY WITH RELEVANT STANDARDS.
 4. FOR DETAILS OF CABLE PIT COVERS SEE DRAWING SD-101-022.
 5. THIS PIT ALWAYS USED ON FOR NEW INSTALLATIONS.
 6. A MAXIMUM OF ONE PIT RISER IS ALLOWED UNLESS OTHERWISE APPROVED.

DRAWN		B. VINEY	
REVIEWED		N. HARREX	
APPROVED		APPROVED	
ISSUE	DATE	DRN	DATE
A	13/07/2022	BV	
	DETAILS		



DEPARTMENT OF STATE GROWTH
STANDARD DRAWING
DETECTOR PIT

DO NOT SCALE
USE OF THIS DRAWING IS GOVERNED BY THE CONDITIONS ON THE
DEPARTMENT STATE GROWTH WEBSITE.
IT IS THE USERS RESPONSIBILITY TO ENSURE IT IS THE CURRENT REVISION.
STANDARD DRAWING NUMBER
SD-101-028
REVISION NUMBER
A