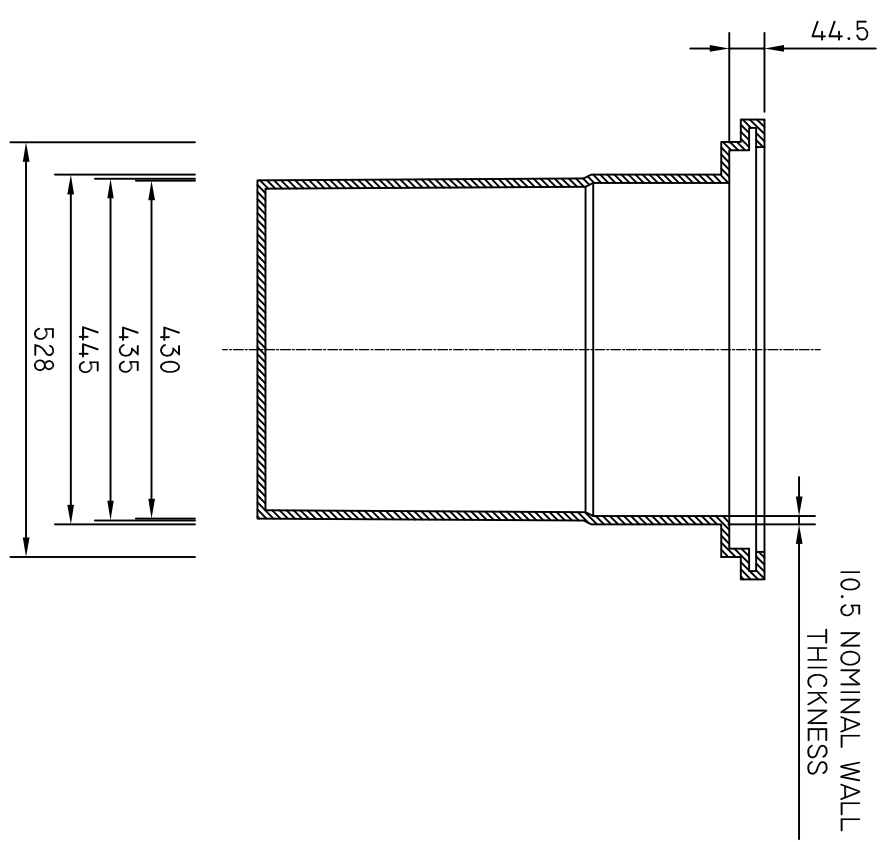
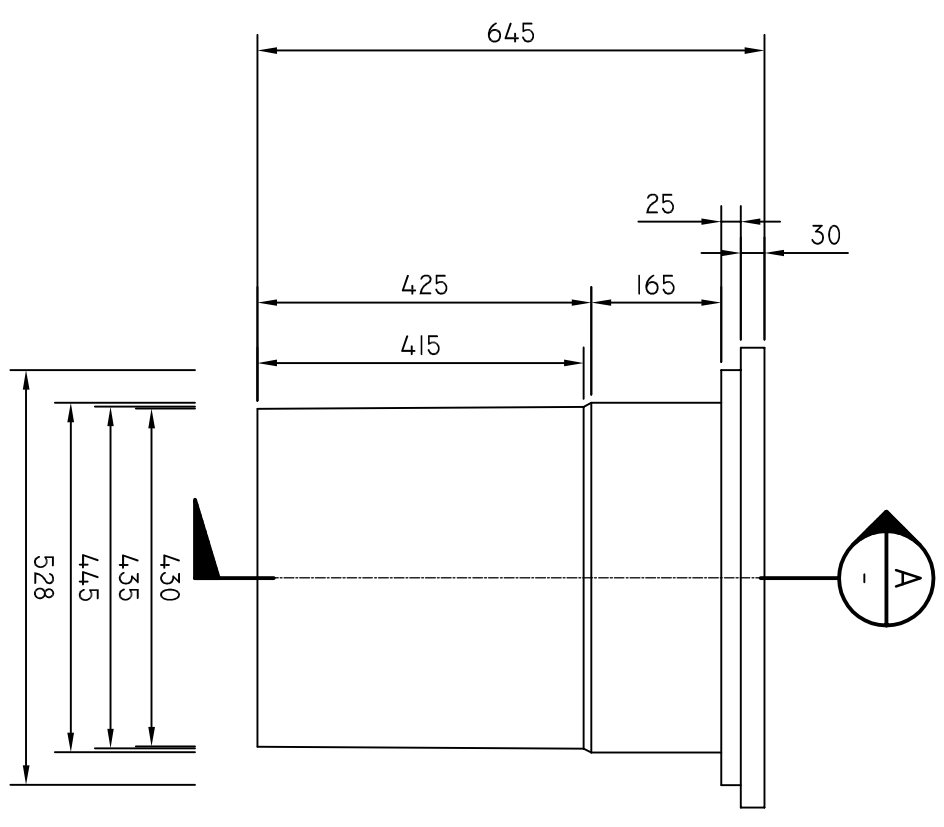


LARGE PIT PLAN

- NOTES
1. DIMENSIONS ARE IN MILLIMETRES UNLESS OTHERWISE NOTED.
 2. MATERIAL HDPE OR AS SPECIFIED.
 3. ALL JOINTS FULLY SEAM WELDED TO COMPLY WITH RELEVANT STANDARDS.
 4. FOR DETAILS OF CABLE PIT COVERS SEE DRAWING SD-101-022.
 5. THIS PIT TYPE IS ONLY USED FOR EXISTING REMEDIATION WORKS.



SECTION A-A
1:10

DEPARTMENT OF STATE GROWTH

STANDARD DRAWING
LARGE PIT DETAILS

DO NOT SCALE
USE OF THIS DRAWING IS GOVERNED BY THE CONDITIONS ON THE
DEPARTMENT STATE GROWTH WEBSITE.
IT IS THE USERS RESPONSIBILITY TO ENSURE IT IS THE CURRENT REVISION.

STANDARD DRAWING NUMBER
SD-101-030

REVISION NUMBER
A

DRAWN	B. VINEY
REVIEWED	N. HARREX
APPROVED	
ISSUE	DETAILS
DRN	
DATE	



0	10	20	30	40	50	60	70	80	90	100	4	5	6	7	8	9	10
---	----	----	----	----	----	----	----	----	----	-----	---	---	---	---	---	---	----